

Si-33

PISTON PUMP



Max flow rate

The high capacity Si-33 (30l/h) is suitable for air-conditioning units from 20 kW **up to 30 kW**.

The piston pump inside the Si-33 is specifically designed for removing condensates from air conditioning systems, whatever the environment.

BENEFITS



• « Sauermann inside » : Patented technology

- **High performance:** pump suitable for air-conditioning units from 20 kW up to 30 kW.
- **High resistance to pollution** created by general environment. Capable of discharging small particles.
- **Proven Reliability.**
- The **Drain Safe Device** retains prime and prolongs the pump life.

NEW 2015

• Low sound level

- Low sound level in operation: **34 dBA independently tested.**
- **Mounting bracket** specifically designed to **reduce vibration transmission to the wall / panel or pipework.**



• Easy to install

- **Compact design.**
- New mounting bracket: allows the pump to be **wall mounted or hung from ceilings and pipework.**
- **Lockable plug-in power cord** to avoid unintended disconnection.

NEW 2015

• Energy saving

Improved performance and high flow rate **reduce operation time** and energy consumption.

KIT CONTENTS



- Piston pump
- * - Clear PVC tube Ø int. 6mm – L: 1m, fitted with a « Drain Safe Device » pre-mounted.
- Anti-vibration mounting bracket
- * - 1.5 m lockable plug-in power cable: 2 power wires, 2 safety switch wires.
- 6 tie wraps, 2.5 x 100mm
- Detection unit (SI2958, 1.5m cable)
- Detection unit installation kit:
 - rubber elbow 90° Øint.15 x L 60mm,
 - vent tube Ø int. 4 x L 75 mm,
 - mounting rail,
 - adhesive

APPLICATIONS

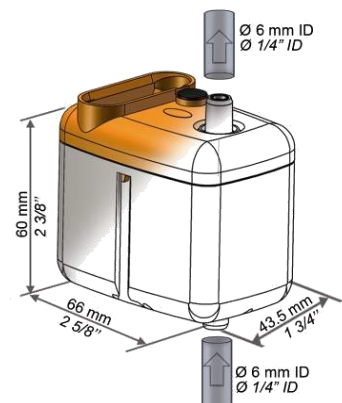
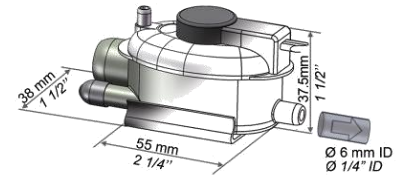
For use with any air-conditioning units, from 20 kW up to 30 kW:

- Wall mounted
- Ceiling suspended
- Ducted
- Fan-coils



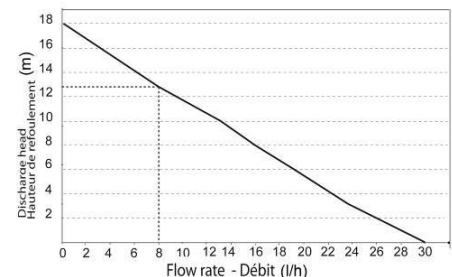
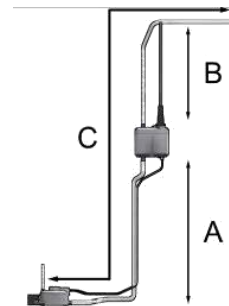
TECHNICAL SPECIFICATION

Max. flow rate	30 l/h
Max. suction head	4 m
Max. discharge head	13 m (flow rate = 8l/h)
Max pressure	18 m (flow rate = 0l/h)
Sound level at 1m according to EN ISO 3744 (Measured at LNE lab, pump operating with water, out of application)	34 dBA
Sound level in application at 1m: (Measured in Sauer mann acoustic lab, pump operating with water)	≤ 36 dBA
Mains supply	230V~ 50/60Hz - 21 W
Insulation class	□ (double insulation)
Detection levels	ON: 16mm, OFF: 11mm, Safety: 19mm
Safety switch	NC 8 A resistive – 250V
Thermal protection (overheating)	115°C (auto-reset)
Operating conditions	50% : 3s ON – 3s OFF
Protection	IP20
Safety standards	CE and EAC
RoHS directive	Compliant
WEEE directive	Compliant
Packaging	0.48kg – L135 x W135 x H90 mm
Masterpack	20 pièces

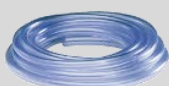


ACTUAL FLOW RATES (l/h)

Suction head (A)	Discharge head (B)	Total tube length using (Ø int 6 mm, 1/4") – (C)			
		5 m	10 m	20 m	30 m
0 m	0 m	30	27	26	25
	2 m	26	24	23	22
	4 m	22	21	20	19
	6 m		18	17	16
	8 m		15	14	13
	10 m		12	11	10
1 m	12 m			8	7
	0 m	24	23	22	21
	2 m	20	19	18	17
	4 m	17	16	15	14
	6 m		13	12	11
	8 m		10	9	8
2 m	10 m			6	5
	0 m	21	20	19	18
	2 m	17	16	15	14
	4 m	14	13	12	11
	6 m		10	9	8
	8 m		7	6	5
3 m	0 m	18	17	16	15
	2 m	15	14	13	12
	4 m		10	9	8
	6 m		6	5	4



RECOMMENDED ACCESSORIES



Clear PVC hose Ø int. 6 mm (1/4")
 ACC00105 : 5 m
 ACC 00150 : 50 m



6 Self-sealing fittings for hose
 Ø int. 6 mm (1/4")
 ACC 00205