

# DELTA PACK 80x60

## PISTON PUMP - CONDENSATE REMOVAL SYSTEM



### Ensures quick and easy installation and maintenance

Delta Pack 80x60 includes a new elbow design that can be easily opened by hand by a simple finger push -- no tool is needed. Its streamlined design complements wall mounted air conditioning units. It includes the Si-10 UNIVERS'L pump which incorporates the latest in piston pump technology.

## BENEFITS



### • Easy installation and maintenance

- New quick fit and release corner piece.
- Simple finger push-in technology: no tools needed. Can be opened by hand.
- One piece pump for easy installation.
- The kit content allows for versatility of installation, matching real needs on the field.
- Transparent and removable reservoir.
- Translucent hose: easy to track waterflow, build-up, etc.



### • Improved design

- Compact elbow and trunking design that can be easily opened and maintained.
- Improved internal space design with increased space for pipework.
- No connection piece where elbow meets the straight length of duct
- Colour: RAL 9001 (off white – cream).
- Flush fitting of all parts.
- Complements and sits flush to the A/C unit using a rubber gasket.



### • Quiet

- Quiet pump operation: 22 dBA at full power – independently tested.
- Elbow includes 'High Energy Absorbing Foam' to absorb vibration and sound.
- Anti-vibration and condensate insulation included on discharge line.



### • Proven reliability

- Patented pump technology.
- No connection piece connecting the elbow and the straight length of duct.
- High flow rate - Up to 20 ltr/hr = Less run time.
- The Drain Safe Device prolongs the pump life.
- Lockable plug-in power cable to avoid unintended disconnection.

## KIT CONTENT



- Si-10 UNIVERS'L piston pump with:
  - Integrated condensate detector.
  - Clear PVC tube int. Ø 6mm – L: 1 m, foam-insulated over 800 mm, fitted with a "Drain Safe Device" pre-mounted.
  - 1.5 m lockable plug-in power cable: 2 power wires, 2 safety contact wires.
- 2-part elbow (base and cover).
- Ceiling duct (covers hole in false ceiling).
- Rubber Elbow/Split gasket.
- 650 mm flexible hose - int. Ø 15 mm (connects to split).
- Vent pipe.
- Six screws and plugs for fixing duct and elbow.
- 4 double wire clamps Ø 16 mm, 1 double wire clamps Ø 6 mm
- 750 mm duct 80x60 mm

## APPLICATIONS

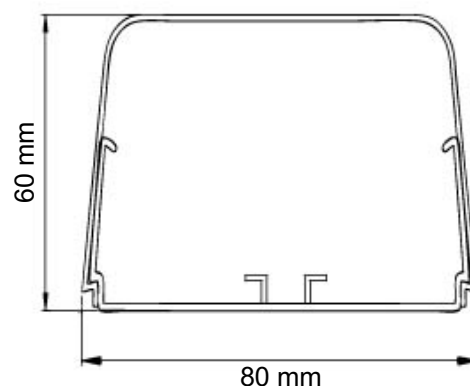
### Air-conditioning wall mounted units up to 20 kW

(connection pipes Ø max 3/8" – 5/8" insulated)



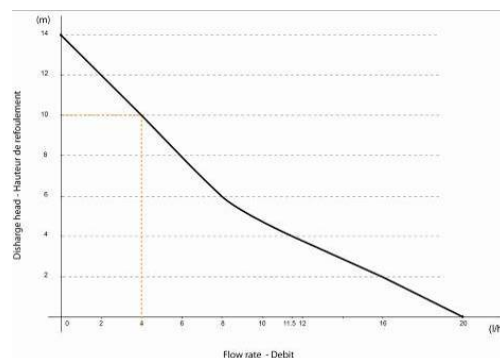
## TECHNICAL SPECIFICATION

<b>Max. flow rate</b>	<b>20 l/h</b>
Max. discharge head	10 m (Flow rate=4l/h)
Max pressure	14 m (Flow rate =0l/h)
<b>Sound level at 1m</b> according to EN ISO 3744 (Measured at LNE lab, pump operating with water, out of application)	<b>22 dBA</b>
Mains supply	230V~ 50/60Hz - 14 W
Isolation class	□ (double insulation)
Detection levels	ON : 18mm, OFF : 13mm, Safety : 21mm
Safety switch	NC 8 A résistive – 250V
Thermal protection (overheating)	115°C (Auto reset)
Operating conditions	100% - Continuous duty
Protection	IPX4
Colour	RAL 9001 – off white (cream)
Elbow dimensions (LxWxH)	130 x 130 x 60 mm
Duct dimensions (LxWxH)	750 x 80 x 60 mm
Lineset	Ø max : 3/8" – 5/8" isolated (Up to 13 kW)
Safety standards	CE & EAC
RoHS directive	Compliant
WEEE directive	Compliant
Packaging	1.55kg – L763 x W225 x H62 mm
Masterpack	5 pieces



## ACTUAL FLOW RATES (l/h)

Discharge head	Total tube length using (Ø Int 6 mm, 1/4")			
	5 m	10 m	20 m	30 m
0 m	20	19	18	17
2 m	16	15	14	13,5
4 m	11,5	11	10,5	10
6 m		8,5	7,5	6,5
8 m		6	5	4
10 m		4	3,5	2,5



## RECOMMENDED ACCESSORIES



### Clear PVC hose Ø int. 6 mm (1/4")

ACC00909 : 5 m  
ACC 00910 : 50 m



**6 Self-sealing fittings**  
for hose Ø int. 6 mm (1/4")  
ACC 00919

Non contractual document. We reserve the right to modify the characteristics of our products without prior notice.