



Multi Frame & Extension Kit

The Multi Frame can extend from any side using the Extension Kit, giving you the flexibility to create the frame configuration to suit your install.

KEY FEATURES ↓

- ✓ 330mm Feet.
- ✓ Suits a wide variety of units.
- ✓ Adjustable leg height.
- ✓ Simple to assemble.
- ✓ Supplied boxed with clamp kits.

SUITABILITY ↓

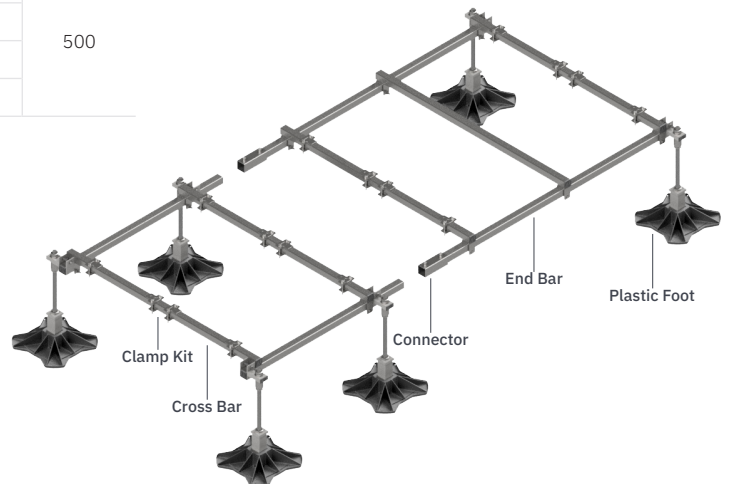
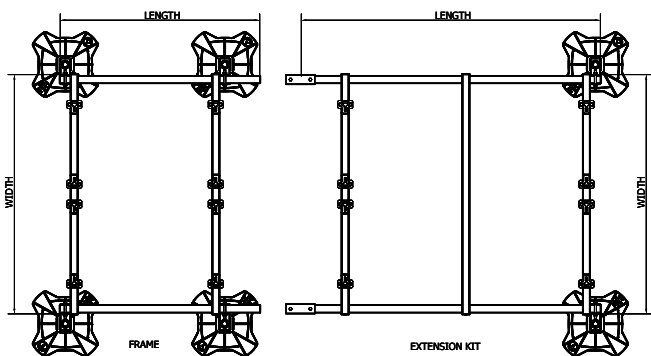
- ✓ 10 years product warranty.
- ✓ Tested to 1000 hours salt spray.
- ✓ Hot dipped galvanised steel.
- ✓ Recyclable EPDM foam mat.
- ✓ Recycled glassed filled nylon plastic feet.

KIT INCLUDES ↓

Components	BN9720	BN9731	BN9740	BN9751
Plastic foot	x4	x4	x4	x4
End bar	x2	x2	x2	x2
Cross bar	x2	x3	x2	x3
Clamp kit (4 pack)	x2	x2	x2	x2

Components	BN9721	BN9732	BN9741	BN9752
Plastic foot	x2	x2	x2	x2
End bar	x2	x2	x2	x2
Cross bar	x2	x3	x2	x3
Clamp kit (4 pack)	x2	x2	x2	x2
Connector	x2	x2	x2	x2

Description	Part No.	Length (mm)	Width (mm)	Height (mm)	Weight (Kg)	Max. Load (Kg)
Multi Frame	BN9720	1000	1200	330-610	35	500
Extension Kit	BN9721				28	
Multi Frame XL	BN9731	1500			41	
XL Extension Kit	BN9732				34	
Multi Frame Wide	BN9740	1000	1500	330-610	37	500
Wide Extension Kit	BN9741				30	
Multi Frame Wide XL	BN9751	1500			45	
Wide XL Extension Kit	BN9752				37	



Information correct at time of going to press.