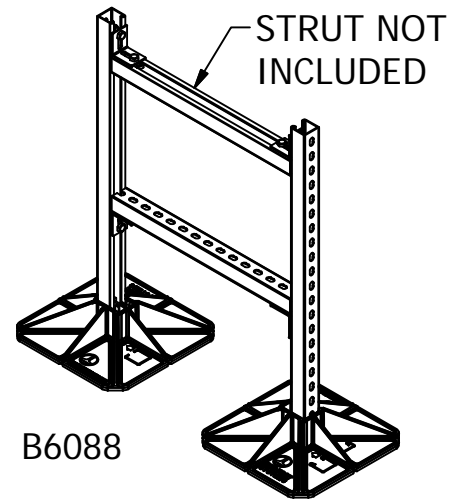
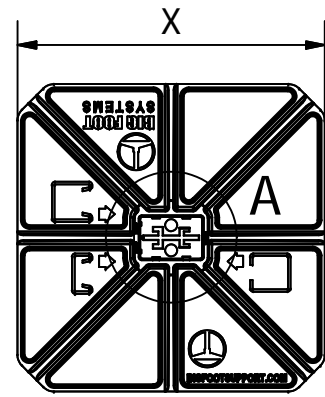


PROJECT REF:	H-Frame
UNIT REF:	N/A
FOOT PRESSURE:	N/A
UDL:	N/A

Material grade: BS EN 10219-1:2006 (S235JR). Welding standard: BS EN ISO 15614-1. Galvanizing standard: BS EN ISO 1461:2009  
 Reference specification document "Custom Fabrication Specification" (BF-SPEC-050411) for further information  
 Reference specification document "Big Foot Systems Cross Bar Specification (BF-SPEC-230610) for further information

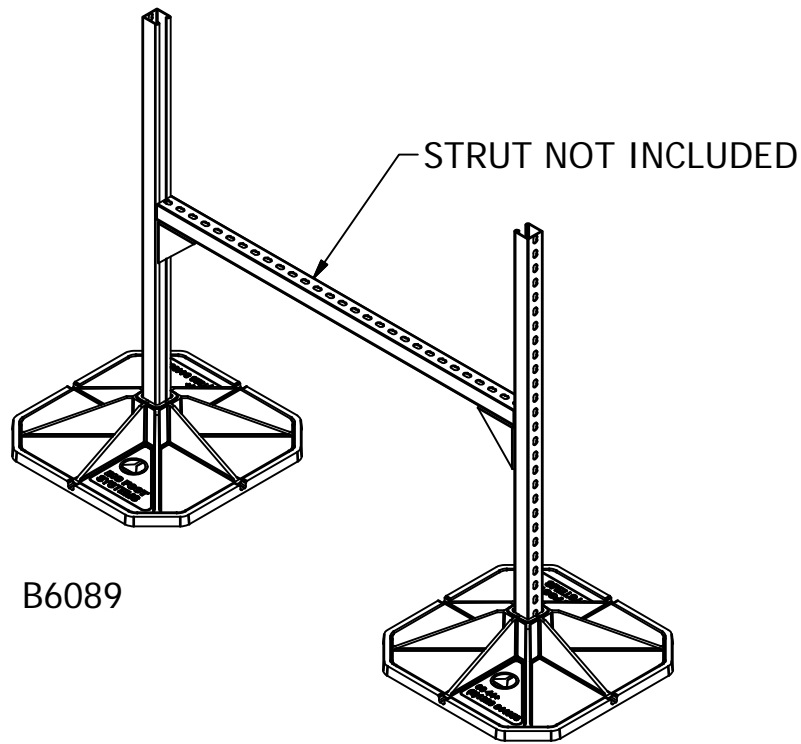


B6088

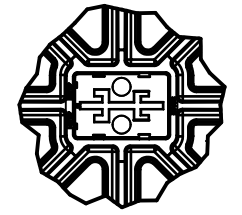
H-Frame				
Part Number		B6088	B6089	B9222
Description		Small	Large	Mega
X	Foot Size	mm	305	450
		inches	12	18
Y	Overall Size (inc mat)	mm	305	486
		inches	12	19 1/8
Frame Weight	kg	3.65	14	25
	lbs	8	31	55
Design Load	kg	300	500	500
	lbs	661	1102	1102

Design load based on brackets supplied with kit, allowable load on vertical and cross members should be checked with the supplier. Allowable foot pressure will be subject to roof build-up, typically detailed by a structural engineer.

Working conditions: Suitable for internal or external applications in temperatures between -40°C to +80°C

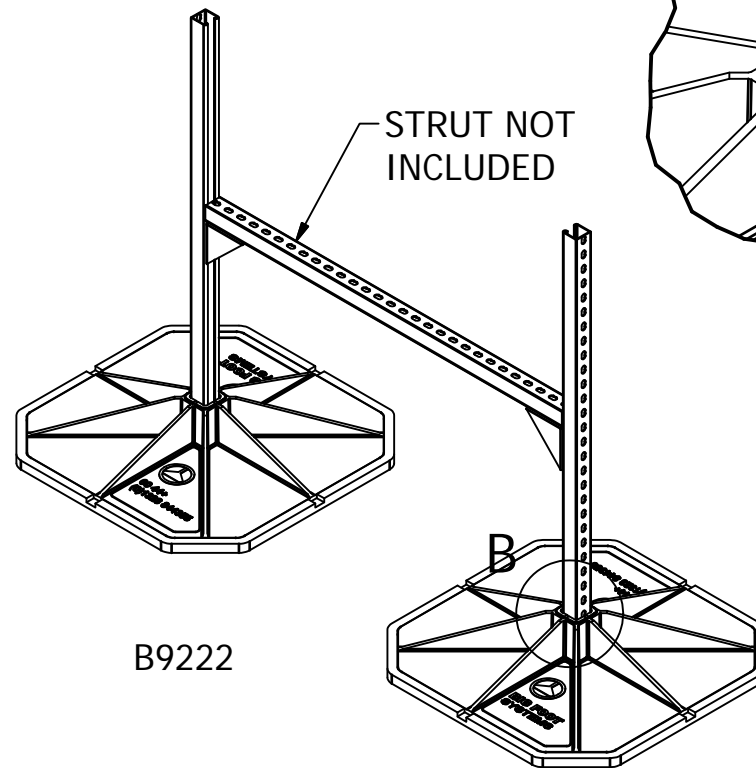
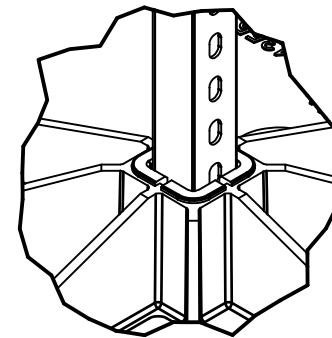


B6089



A (1 : 5)  
305mm (12")  
core detail

B (1 : 5)  
450mm (18") & 600mm (24")  
core detail with insert



B9222



Material Specification				
Part/Description	Material	Regulation Conformance	Density	
			kg/m3	lbs/ft3
Foot	Nylon GF-30%		1140	71
Mat	Rubber	BS7188:1989	650-1020	41-64
Metalwork	Galvanised Steel ASTM-A36	BS EN ISO1461:1999	7800	487

13mm for 305mm @ 20Nm  
 17mm for 450mm & 600mm @ 30Nm

Installation and application considerations should include health, safety and environmental needs, regulations and standards, codes of practice, climate conditions, installation location, product orientation, evaluation of the roof structure, composition, surface and condition, ancillary and complimentary products and materials. Big Foot Systems recommend that all rooftop products are handled and installed by suitably qualified persons. All scheme designs are based on the use of Big Foot Systems' products and materials only. Terms and conditions available on request

REV A	DATE:	11/05/2016
	DRAWN:	S BIRCH
	CHECKED:	A SIMMANS

SCALE: 1 : 15  
 DIMENSIONS IN mm U.O.S  
 TOLERANCES: 0.0 ± 0.5mm U.O.S  
 SHEET 1 OF 1

A3

TITLE:  
**H-Frame Product Information Sheet**  
 DWG No.  
**BFP-HFR.dwg**

THIS DRAWING IS COPYRIGHT AND THE PROPERTY OF BIG FOOT SYSTEMS LIMITED

